



L3

SURFACE MOUNT GRACEPORT® HOUSING

GracePorts® are intended to be mounted in or on an enclosure product. Installation should be performed by a qualified technician and adhere to applicable regulatory codes. These devices are for mounting on the flat surface of enclosures having the same type environmental ratings.

MECHANICAL SPECIFICATIONS

Housing: Cast alloy base, plastic cover
 Gasket: NBR UL94
 Insert Material: Acrylic UL94HB

ELECTRICAL SPECIFICATIONS

Low voltage (data), limited to 30 VDC
 High voltage supply (for computer use only)
 120 VAC, 15A (UL), 5A (CSA)
 230-240 VAC, 16A (CE only)

APPROVALS

UL RECOGNIZED: E207344 (TYPE 4X)
CSA: LR110845 (not for interrupting circuit)
CE: EN61010/EN60950 (Foreign Power Outlets)

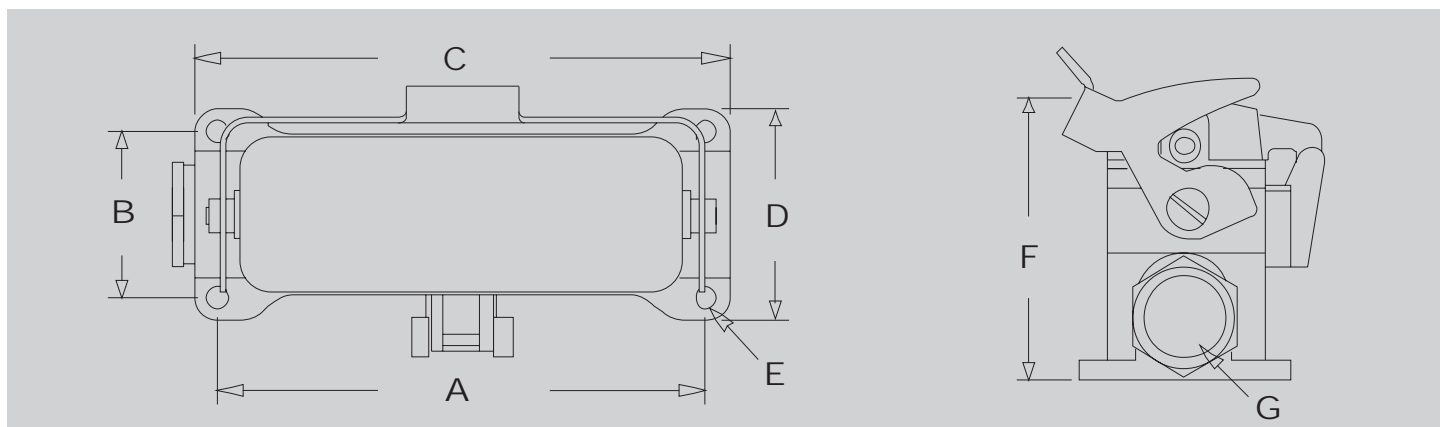
Sample Part No.:

P - R 2 - * * R F 0

A3, G3 or L3

Don't see what you're looking for?

Contact us at sales@grace-eng.com, call 1-800-280-9517 or visit www.graceport.com to chat with our customer service.



OVERALL & MOUNTING DIMENSIONS INCHES (MM)

HOUSING CODE	A	B	C	D	E	F	G
A3	2.76 (70)	1.57 (40)	3.22 (82)	2.05 (52)	.22 (5.5)	2.64 (67)	1/2" NPT
G3	5.20 (132)	1.77 (45)	5.67 (144)	2.24 (57)	.22 (5.5)	2.80 (71)	3/4" NPT
L3	4.37 (111)	4.17 (106)	5.55 (141)	4.72 (120)	.25 (6.4)	4.65 (118)	1" NPT

Warning: Verify an electrical conductor has been de-energized using an adequately rated test instrument before working on it. Follow appropriate Energy Control (Lockout/Tagout) procedures as per OSHA Subpart S.

© Grace Technologies, Inc. All rights reserved. Specifications are subject to change with/without notice.



Certification based on final product.
 GP-SMH-IG-EN 2005